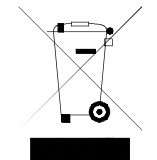
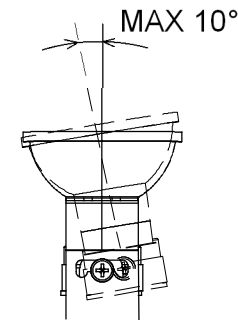
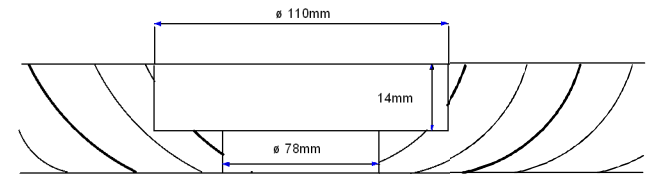
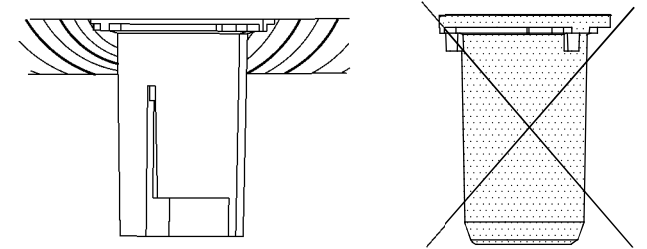
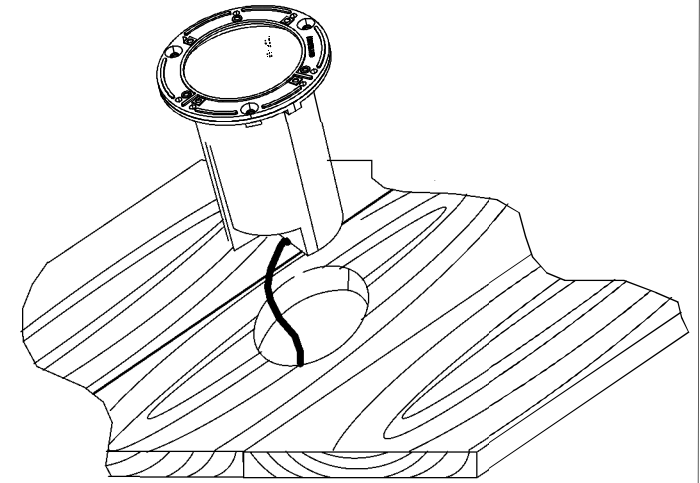
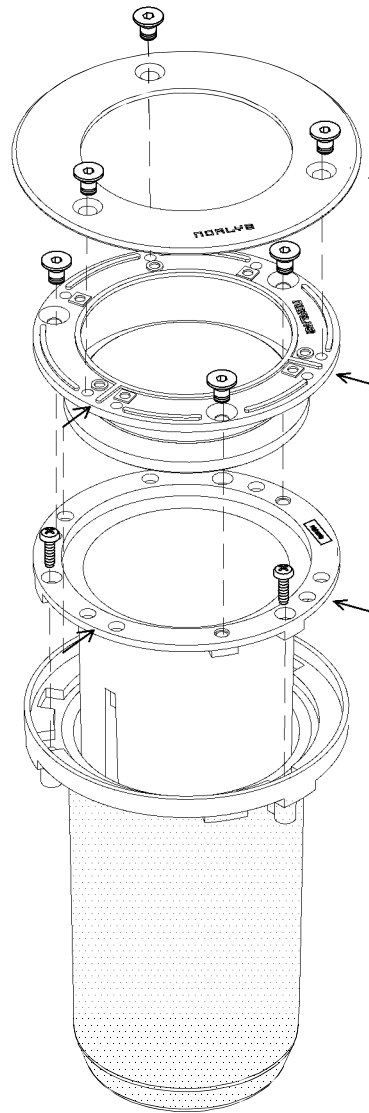
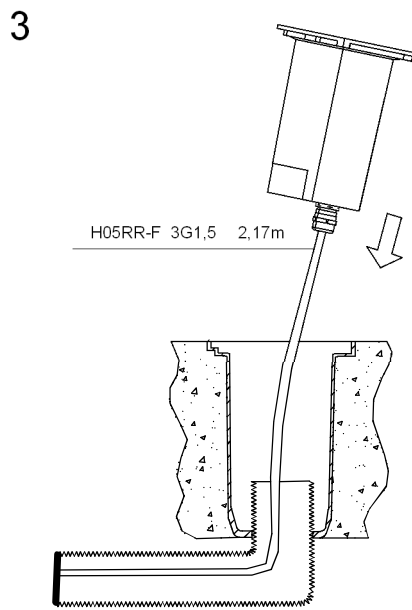
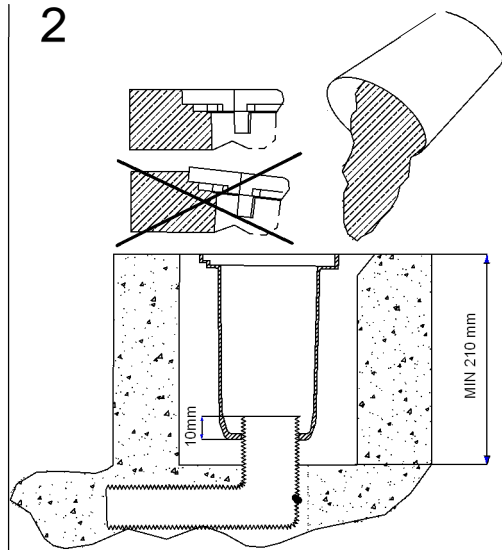
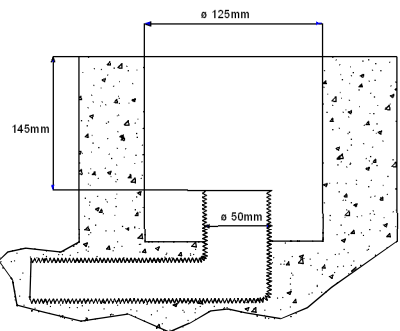
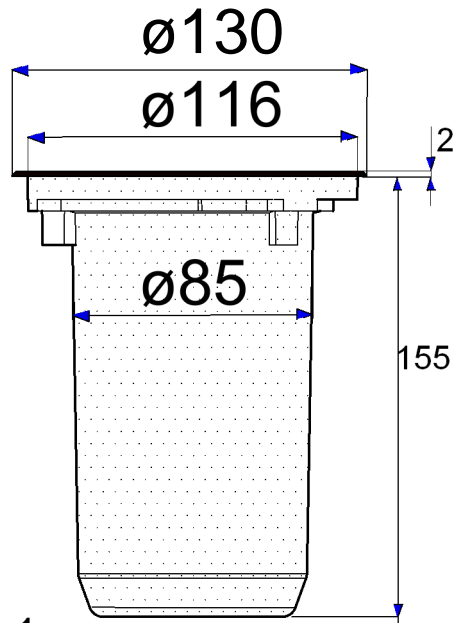


CLASS I

ART. 1550-1552 GU 10, LED 6 W



MAGNETIC

